

Vision is
our mission®

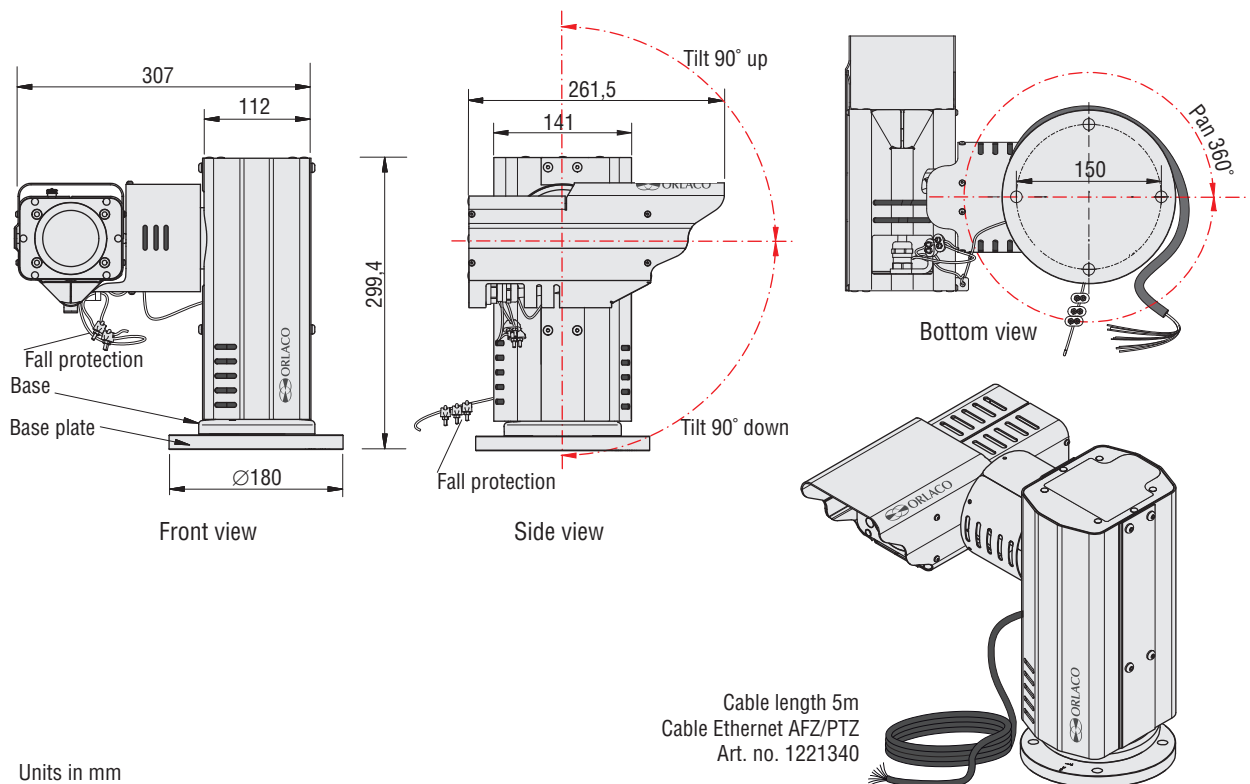
Camera PTZ HD-E Sst
Article no. 0506820
2017 • DS0961321 EN A 02

Product Data



- HD image sensor
- Video streaming over TCP/IP
- ONVIF compliant

Dimensions



TECHNICAL DATA

Camera PTZ HD-E Sst

Article number	Description 0506820	Networking	Protocols IPv4/v6, UDP, TCP, IGMP, ICMP, ARP, DHCP, DNS.
Imager	General Pan Tilt unit including digital full HD zoom camera with ethernet interface. The Pan & Tilt unit functions via two industrial stepping motors. These stepping motors are controlled by the integrated micro-controller. The camera has a web GUI interface (HTTP or HTTPS). Control and view of the camera is done over TCP/IP in a computer network.	Streaming Management	RTP, HTTP. RTSP, HTTP, HTTPS, Bonjour, NTP, Telnet, FTP, SNMP.
Picture elements	Sensor 1/2.8 Type Exmor CMOS Sensor. 2.38 Megapixels.	PTZ integration	Pelco D.
Lens	30x Zoom F=4.3mm (WIDE) to 129mm (TELE), F1.6 to F4.7.	Input voltage range	Electrical 18...30VDC.
Angle of view (H)	±63.7° (wide end), ±2.3° (tele end).	Power consumption	Heating on: 23W & Heating off: 18W.
Min. working distance	10 mm (WIDE end), 1200 mm (TELE end).	Communication	Ethernet.
Min. illumination	1,4 Lx (1/30 sec, 50%, ICR-OFF, High Sensitivity mode OFF). 0,35 Lx (1/30 sec, 50%, ICR-ON, High Sensitivity mode ON). 0 lux mode.	Cable	Art. no. 1221340; Cable Ethernet AFZ/PTZ, 5,0m, open wired. Length between camera and switch; Max 60m.
S/N ratio	>50 dB.	Pan angle	PTZ Total 340°, 170° left, 170° right.
Standards	Video Compression H.264 High, Main and Baseline profiles, Motion JPEG.	Tilt angle	Total 180°, 90° up, 90° down.
Data rate	64 kbps to 10 Mbps per channel (requires less than 1 Mbps at 4CIF/30fps)	Backlash PTZ	1°.
Resolutions	Up to HD 720p at 60 fps / 1080p at 30 fps (16:9).	Fixed camera pos	32 preset camera positions, preset tolerance: <1°.
Latency	< 200ms.	Pan & Tilt speed	12,5°/sec.
Start up time	<100 sec.	Construction	Mechanical Housing, mounting parts and sun cover; stainless steel 316, suitable for mobile applications with shocks and vibrations.
		Ingress protection	Corrosion proof housing according to MIL-A-8625E (Acetic Acid Salt Spray Test), condense- & watertight IP 69 (25 m under water), dry-nitrogen filled, 1,4 Bar overpressure.
		Protection	IP 69K according IEC 60529, 1,4 Bar overpressure filled with dry nitrogen.
		Operating temperature	-40°C to +60°C.
		Weight	15 kg.

NB

Cable lengths are restricted; S/FTP cable (not included) max 100m point to point. See Installation Manual; **IM0973550**.

Certification

Green Passport All materials are compliant to Green Passport requirements according IMO resolution MEPC.197(62) as adopted on 15 July 2011 (Maritime sector:International Maritime Organization concerning the functions of the Marine Environment Protection Committee).

Electrical connections

Cable Ethernet AFZ/PTZ, Art. No. 1221340

1. Brown	N.C.	9. Black/white	P&T Power 0V in
2. Blue	N.C.	10. Red	Camera power 24V in
3. Black/blue	N.C.	11. Black	Camera power 0V in
4. Red/blue	N.C.	12. Orange/white	Ethernet TX+
5. Blue	Serial - 1*	13. Orange	Ethernet TX-
6. White	Serial - 2*	14. Green/white	Ethernet RX+
7. Grey	Serial 0V	15. Green	Ethernet RX-
8. Red/white	P&T Power 24V in		

All data subject to change without notice. All dimensions are for commercial purpose only.

The camera/display systems from Orlaco comply with the latest CE, ADR, EMC and mirror-directive regulations, where applicable.

All products are manufactured in accordance with the ISO 9001 quality management system, ISO/TS 16949 quality automotive, ISO 14001 environmental management systems and all Ex products with the IECEx scheme and ATEX directives, where applicable.

